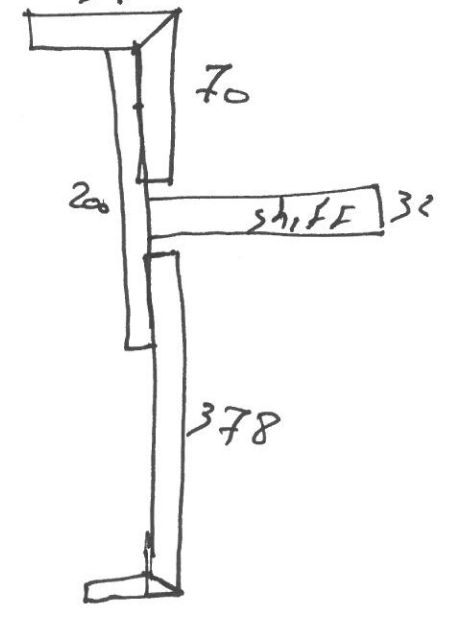
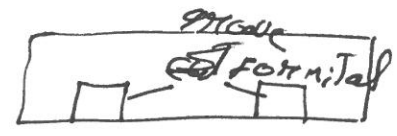


~~1. 500 x 1378 x 18 => 4 pcs~~
~~2. 500 x 709 x 18 => 2 pcs~~

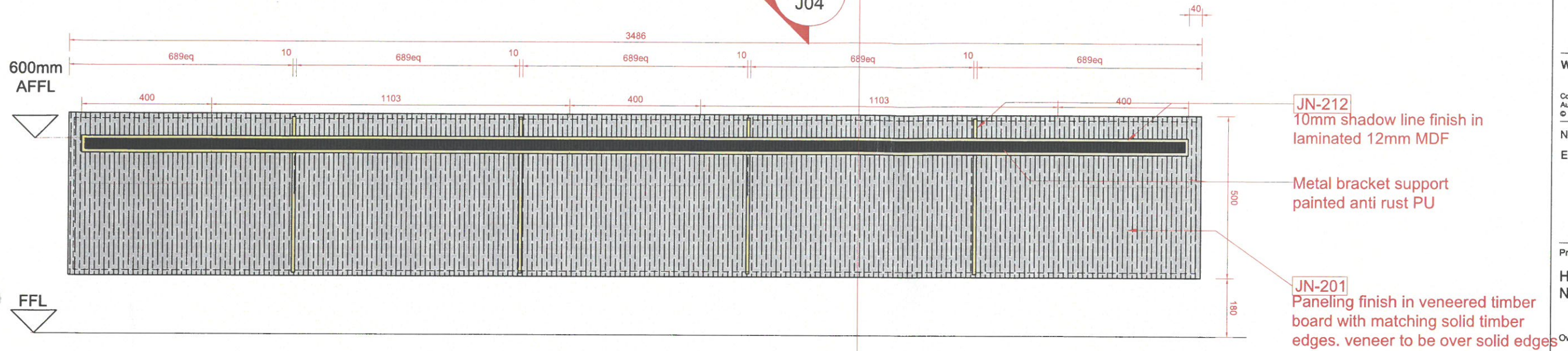
3.

- 1. 378 x 1388 x 18 => 4 pcs oak + any
- 2. 378 x 709 x 18 => 2 pc oak + any
- 3. 34 x 1388 x 18 => 8 pcs oak + any
- 4. 34 x 709 x 18 => 4 pcs oak + any
- 5. 378 x 34 x 18 => 4 pcs oak + any
- 6. 200 x 1370 x 18 => 4 pcs oak + any
- 7. 200 x 709 x 18 => 2 pcs oak + any
- 8. 1343 x 220 x 32 => 4 pcs shifl
- 9. 699 x 220 x 32 => 2 pcs shifl
- 10. 70 x 1388 x 18 => 4 pcs oak + any
- 11. 70 x 709 x 18 => 2 pcs oak + any 34

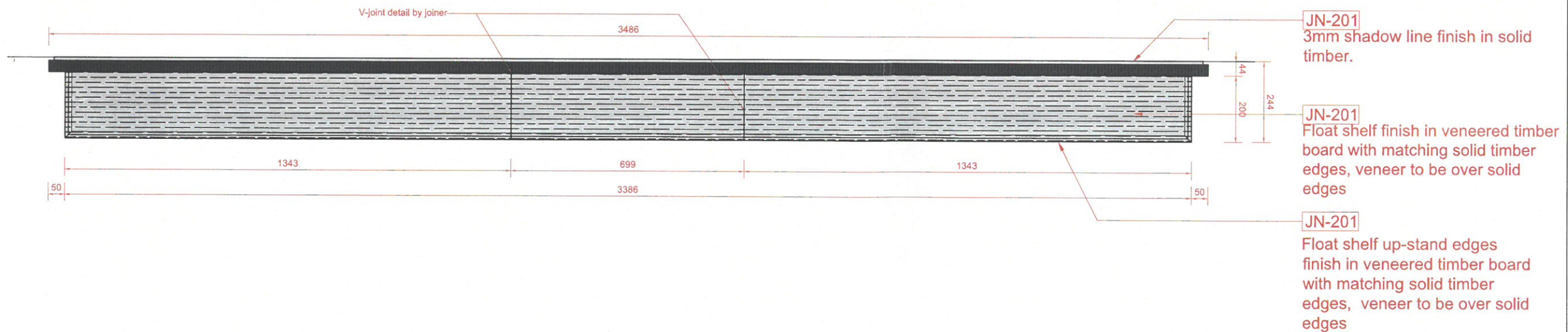


QTY : 2

SC
J04



ELE
J04 Elevation



ELE
J04

www.wood-styles.com

Copyright of designs shown herein is retained by this office. Authority is required for any reproduction. © Copyright Wood-styles Ltd.

Nigeria, Lagos +234 80 9037 9888
Email: info@wood-styles.com

Project
Hyatt Regency Hotel
NG-Lagos-Ikeja

Owner

Date	Description

For Approval

Project No. : NG23 - Hyatt Regency Hotel
Scale : A1 = 1 : 5 . A3 = 1 : 10
Drawn by : Damil
Checked : Kinan
Cad File : CAD File

Sheet title
Twin/King ADA rooms
_TV Panel Shop Drawing
First Floor

Dwg No. JO4	No. A
----------------	----------

www.wood-styles.com

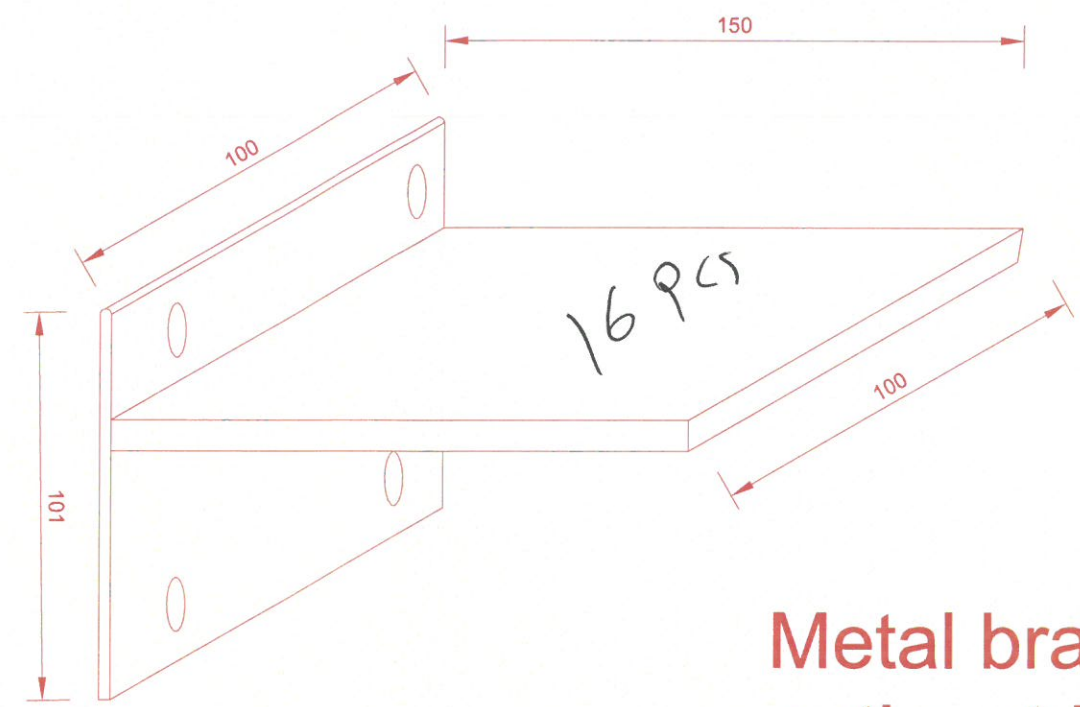
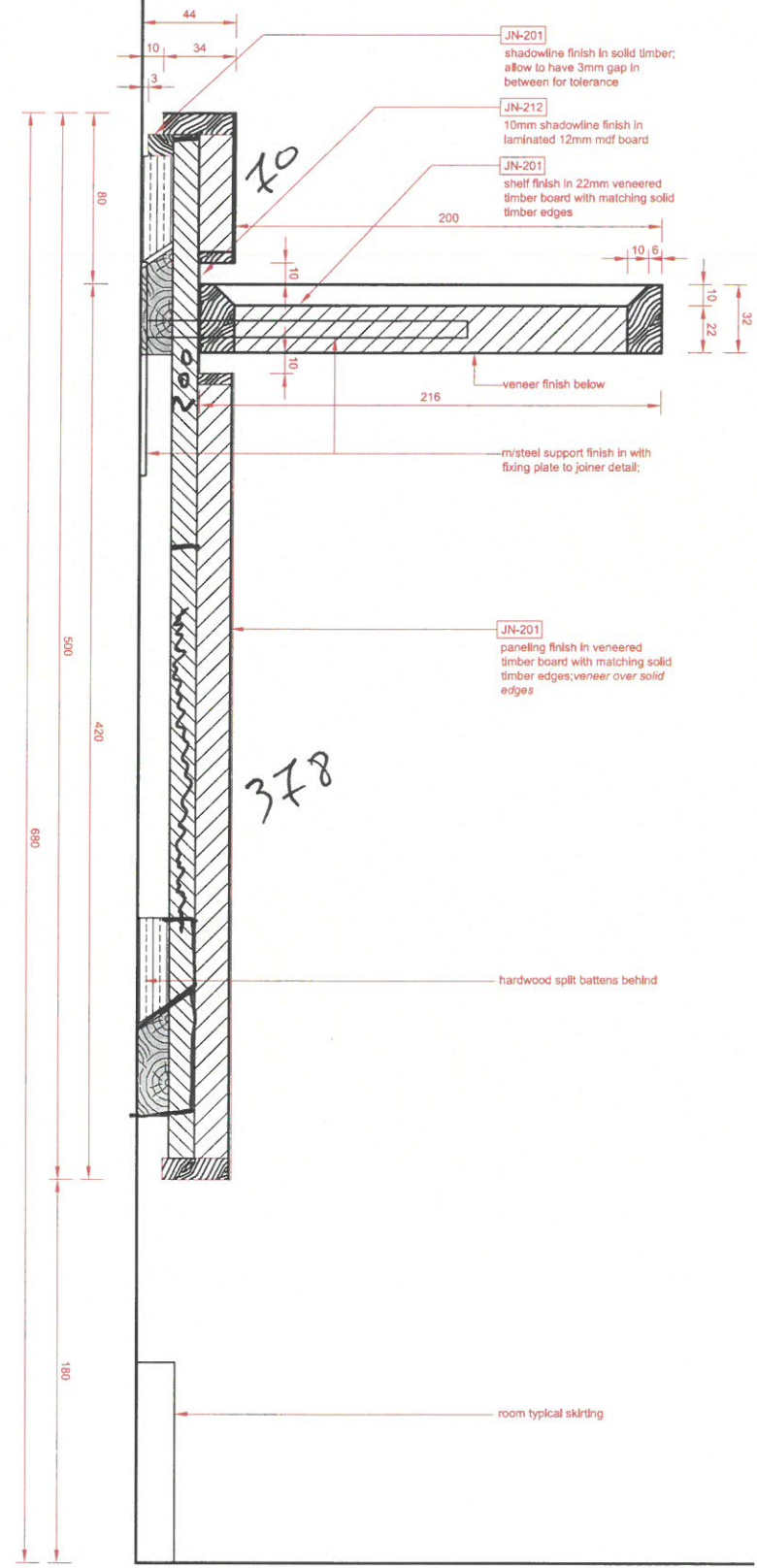
Copyright of designs shown herein is retained by this office. Authority is required for any reproduction. © Copyright Wood-styles Ltd.

Nigeria, Lagos +234 80 9037 9888
Email: info@wood-styles.com

Project
Hyatt Regency Hotel
NG-Lagos-Ikeja

Owner

Date Description



Metal bracket support painted anti rust PU

SC Section
J04

For Approval

Project No. : NG23 - Hyatt Regency Hotel
Scale : A1 = 1 : 5 , A3 = 1 : 10
Drawn by : Dami
Checked : Kinan
Cad File : CAD File

Sheet title
Twin/King ADA rooms
_TV Panel Shop Drawing
First Floor

Dwg No. J04 No. A